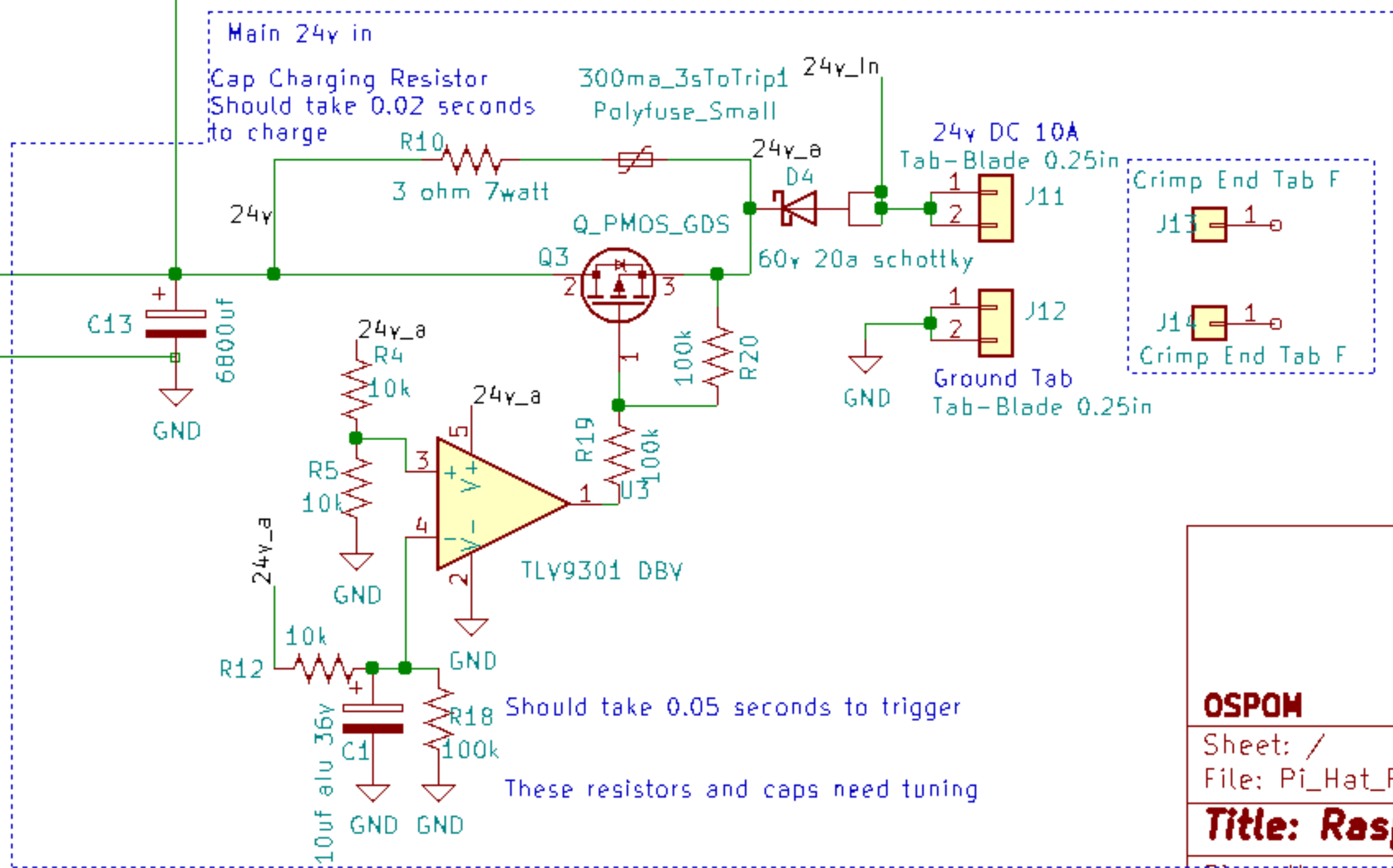
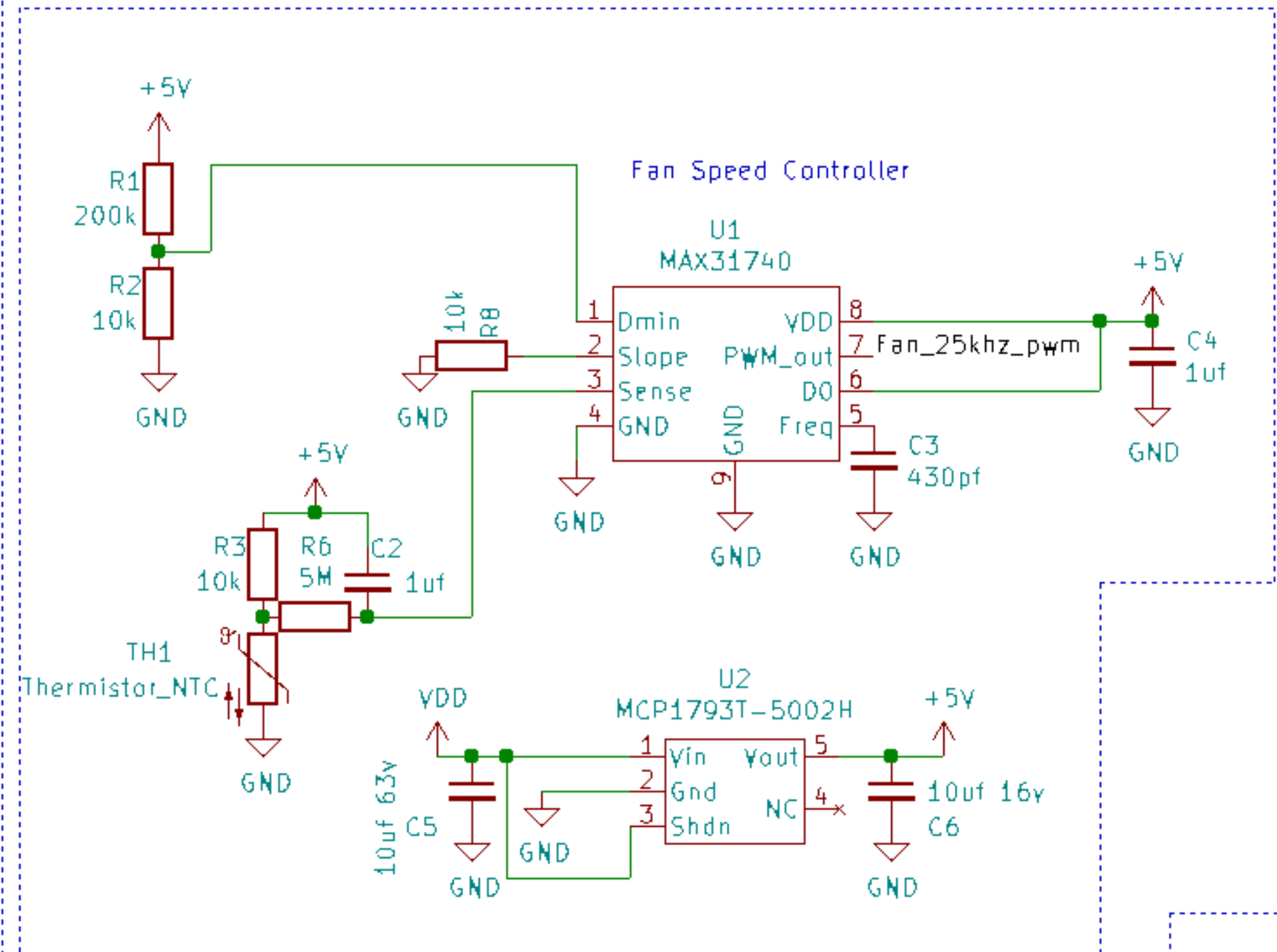
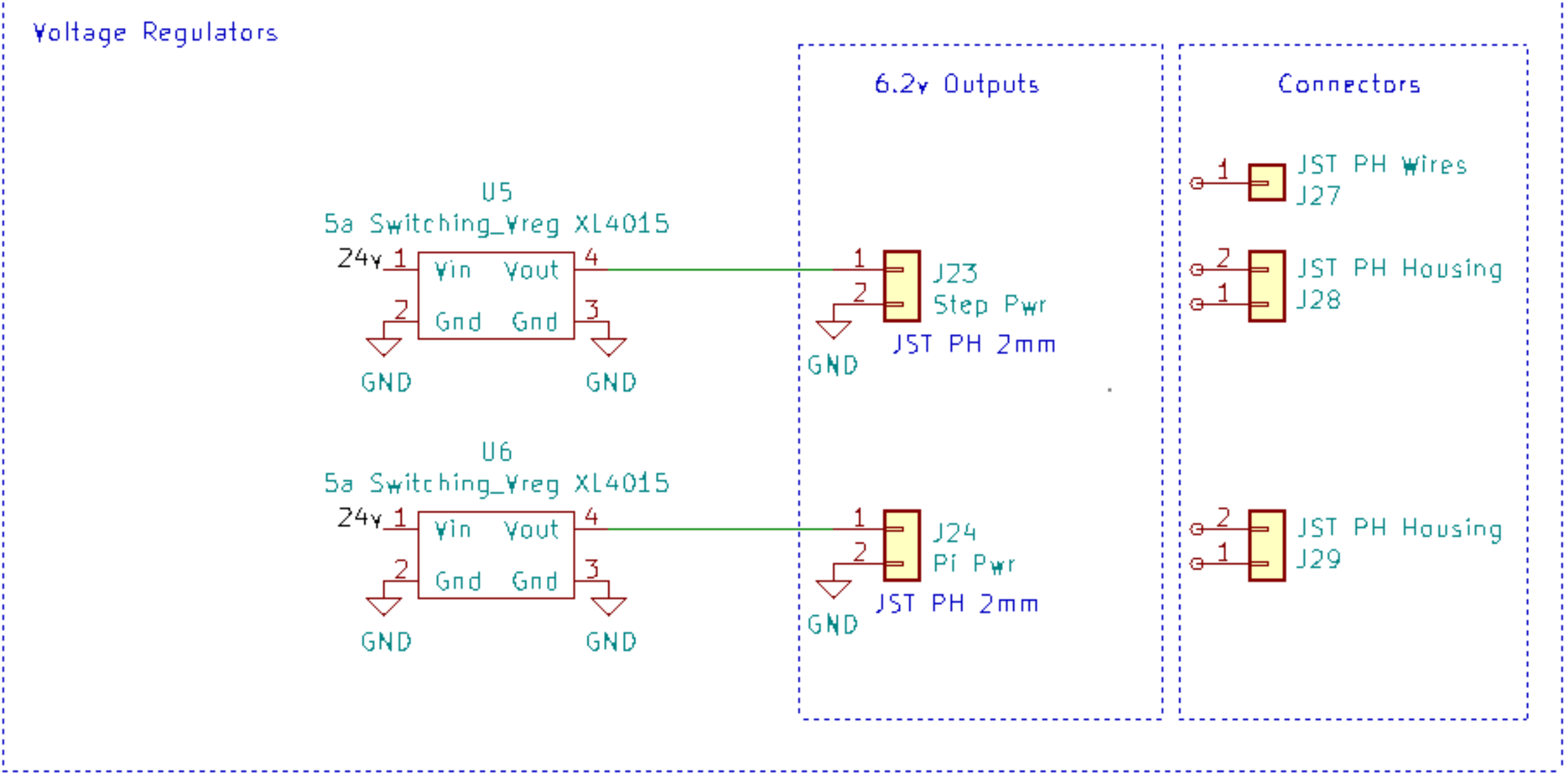
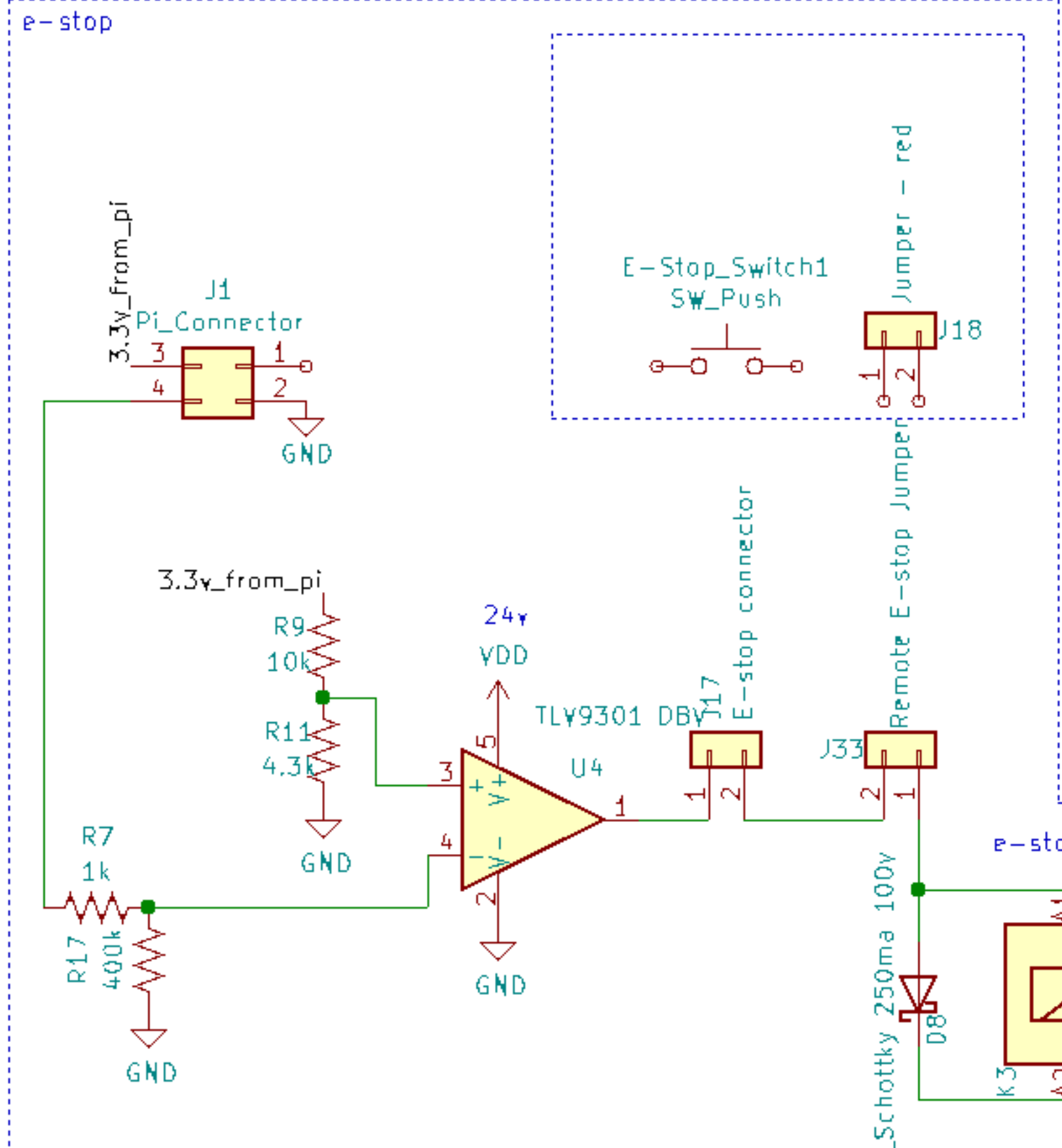
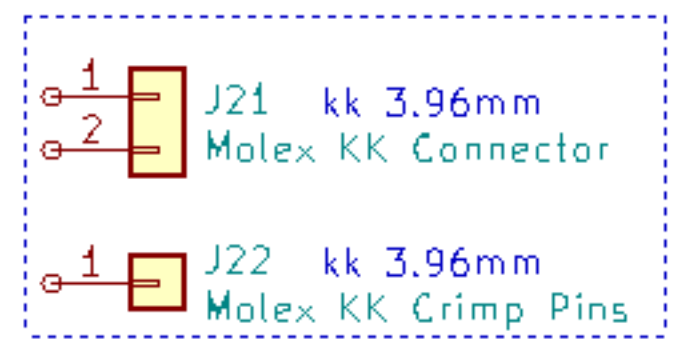
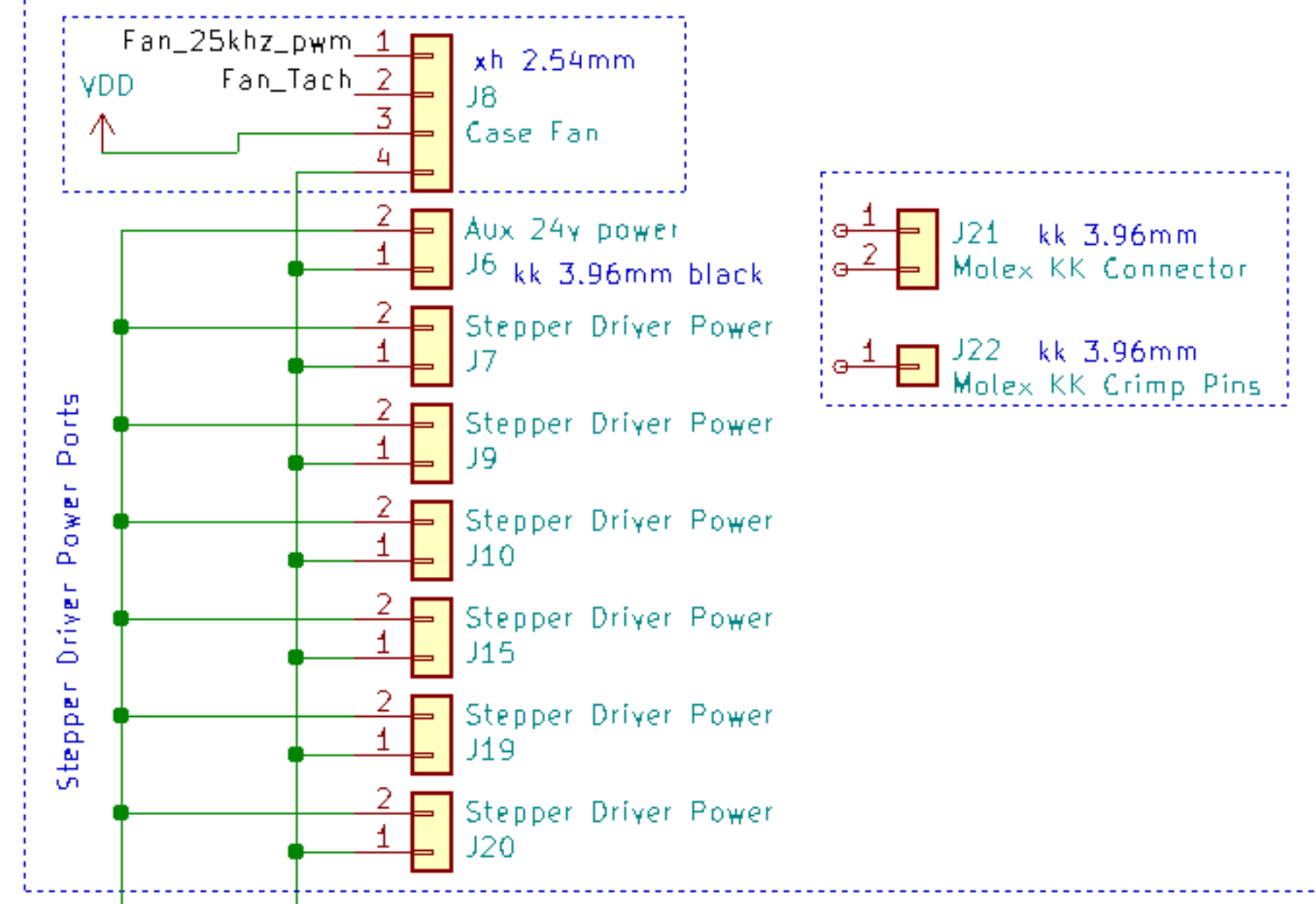


24v Power Supply Pi Hat

Stepper Driver 24v Power Ports & Fan connector



OSPOM		
Sheet: /		
File: Pi_Hat_Power_Supply.sch		
Title: Raspberry Pi 24v Power Supply Hat		
Size: User	Date: 2021-06-24	Rev: 1.4
KiCad: E.D.A. kicad-5.1.10-88a1d61d5890ubuntu20.04.1		Id: 1/1