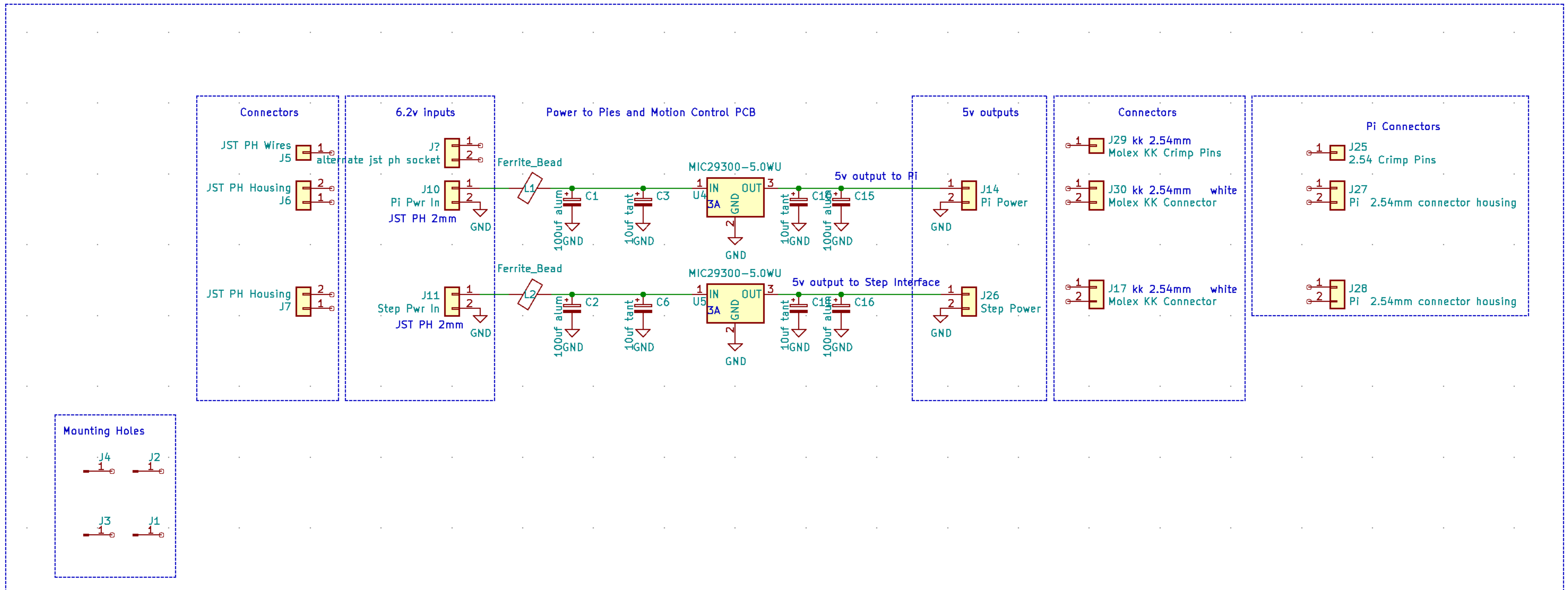


5v Power Supply



OSPOM

Sheet: /

File: Power_Supply_5v.sch

Title: 5v Power Supply

Size: User

Date: 2021-07-07

Rev: 1.4

KiCad E.D.A. kicad 5.1.10-88a1d61d5890ubuntu20.04.1

Id: 1/1